

Beldray[®] est 1872

Our cordless,
powerful & versatile
vacuum cleaner



AIRGILITY MAX
CORDLESS
INSTRUCTION MANUAL



www.beldray.com

Please read all of the instructions carefully and retain for future reference.

Safety Instructions

When using electrical appliances, basic safety precautions should always be followed.

Check that the voltage indicated on the rating plate corresponds with that of the local network before connecting the appliance to the mains power supply.

Children aged from 8 years and people with reduced physical, sensory or mental capabilities or lack of experience and knowledge can use this appliance, only if they have been given supervision or instruction concerning use of the appliance in a safe way and understand the hazards involved.

Children should be supervised to ensure that they do not play with the appliance.

Unless they are older than 8 and supervised, children should not perform cleaning or user maintenance.

This appliance contains no user serviceable parts. If the power supply cord, plug or any part of the appliance is malfunctioning or if it has been dropped or damaged, do not use. Only a qualified electrician should carry out repairs. Improper repairs may place the user at risk of harm.

Do not remove the adaptor from the mains power supply by pulling the cord; switch off and remove the plug by hand.

Do not use the adaptor to recharge non-rechargeable batteries or any other appliance.

Do not use the appliance for anything other than its intended use. Take care when equipping accessories with rotating parts as this could cause entrapment.

Switch off the appliance, disconnect it from the mains power supply and allow to cool fully before changing or fitting accessories and before cleaning or user maintenance.

Use of an extension cord with the appliance is not recommended. Only use the appliance with the power supply unit provided.

This appliance should not be operated by means of an external timer or separate remote control system.

This appliance is intended for domestic use only. It should not be used for commercial purposes.

Caution: The extension tube contains electrical connections.

Do not use to suck up water. Do not immerse in water for cleaning. The extension tube should be checked regularly and must not be used if damaged.

Battery Safety

The supply terminals are not to be short-circuited.

In the event of a battery pack leaking, do not allow the liquid to come in contact with the skin or eyes. If contact has been made, wash the affected area with copious amounts of water and seek medical advice.

Secondary cells and batteries need to be charged before use.

After extended periods of storage, it may be necessary to charge and discharge the battery pack several times to obtain maximum performance.

Do not leave a battery pack on prolonged charge when not in use.

Do not use any charger other than that specifically provided for use with the product.

Do not use any cell or battery which is not designed for use with the product.

Keep batteries out of the reach of children.

Do not crush, puncture, dismantle or otherwise damage the battery pack.

Do not store above 60 °C.

Avoid storage in direct sunlight.

Do not expose the battery pack to heat or fire as it may explode.

Do not subject the battery pack to mechanical shock.

To dispose of the exhausted battery pack, take it to a local recycling station. Contact the local government offices for further details.

This appliance is fitted with a 29.6 V 2200 mAh Li-ion rechargeable battery (removable).

Dos and Don'ts

Do:

Charge the unit fully before first use.

Check that the HEPA filter is kept clear of obstruction.

Make sure that the dust container and HEPA filter are cleaned regularly to preserve suction and prolong the life of the vacuum cleaner.

Clean the dust container and HEPA filter at least every three weeks with clean water to keep the vacuum cleaner working efficiently.

Don't:

Use the vacuum cleaner without the HEPA filter or dust container in position.

Use the vacuum cleaner to pick up flammable liquid, matches, cigarette ends, hot ashes or any hot, burning or smoking objects.

Use the vacuum cleaner to pick up water or any other liquid, as this poses risk of an electric shock.

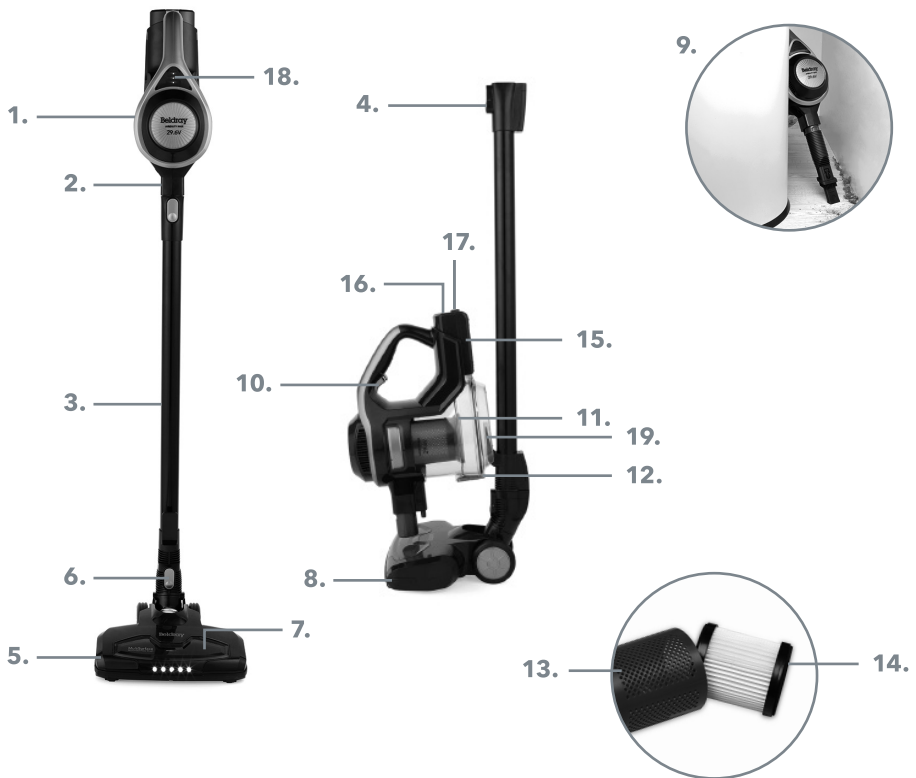
Care and Maintenance

Wipe the external surface of the vacuum cleaner with a soft, damp cloth and allow to dry thoroughly.

Do not use any harsh or abrasive detergents or cleaning agents to clean any part of the vacuum cleaner.

Keep the HEPA filter clean and replace when it becomes worn.

Description of Parts



1. Airgility Max Cordless main unit
2. Air inlet
3. Extension tube
4. Extension tube release button
5. Floor brush
6. Floor brush release button
7. Brush bar
8. Brush bar release tab
9. 2 in 1 crevice and brush tool
10. Power trigger

11. Dust container
12. Dust container base release latch
13. Filter cone
14. HEPA filter
15. Battery pack
16. Battery release catch
17. Charging port
18. LED indicator light
19. Storage hook

Instructions for Use

Before First Use

Before using the vacuum cleaner for the first time, clean the exterior surface with a soft, damp cloth and dry thoroughly.

Do not immerse the vacuum cleaner in water or any other liquid.

Charging the Airgility Max Cordless

Before first use, the vacuum cleaner must be charged for approx. 5.5 hours. Subsequent charging times will vary dependent upon use. If the vacuum cleaner battery becomes drained completely during use, it may take up to 5.5 hours to fully recharge.

The battery pack must be fitted onto the vacuum cleaner main unit during charging; do not charge the battery pack separately.

STEP 1: Before connecting to the mains power supply, attach the battery pack by aligning it with the main unit and sliding into place until it clicks.

STEP 2: Connect the mains power adaptor to the charging port on the battery pack.

STEP 3: Plug the mains power adaptor into the mains power supply; the LED indicator light will flash during charging and then remain illuminated once the battery is fully charged.

STEP 4: Unplug the mains power adaptor from the mains power supply once the battery is fully charged. Disconnect the mains power adaptor from the charging port on the battery pack.

Note: Whilst charging, the battery pack may become warm.

Warning: Do not use any mains power adaptor other than that supplied. Using an alternative will increase the risk of damage.

Using the Airgility Max Cordless

STEP 1: Check that the vacuum cleaner is disconnected from the mains power adaptor after unplugging it from the mains power supply. Make sure that the battery pack is securely attached to the main unit.

STEP 2: Turn on the vacuum cleaner by pressing the power trigger; press once for the minimum power setting, press twice to use the maximum power setting.

STEP 3: To turn off the vacuum cleaner, press the power trigger again.

Warning: Do not use the vacuum cleaner without the HEPA filter and filter cone in position. The dust container must be closed before use. Clean the HEPA filter regularly to preserve the suction of the vacuum cleaner.

Using the Extension Tube and Floor Brush

The extension tube can be fitted onto the air inlet to extend reach, ideal for floor-to-ceiling cleaning.

STEP 1: Fit the extension tube onto the air inlet by aligning the pins and carefully pushing the extension tube towards the main unit until it clicks into position. To release the extension tube, press the extension tube release button and pull it away from the vacuum cleaner main unit.

STEP 2: Attach the floor brush by aligning the pins on the floor brush with the bottom of the extension tube. Carefully push together to secure into place. To release the floor brush, press the floor brush release button and pull it away from the extension tube.

STEP 3: Turn on the vacuum cleaner by pressing the power trigger.

Using the 2 in 1 Crevice and Brush Tool

STEP 1: If required, fit the extension tube onto the air inlet following the instructions in the section entitled 'Using the Extension Tube and Floor Brush'.

STEP 2: Push the 2 in 1 crevice and brush tool onto the end of the extension tube. If no extension is required, push the crevice tool directly onto the air inlet until secure.

STEP 3: Slide the brush bar back to use as a crevice tool, ideal for removing dust and dirt from corners and recesses.

Slide the brush bar forward to use as a brush tool, perfect for cleaning upholstery and fabrics.

STEP 4: To remove the 2 in 1 crevice and brush tool, pull it firmly away from the end of the extension tube or the air inlet.

Emptying the Dust Container

Before emptying the dust container, check that the vacuum cleaner is switched off and any attachments have been removed from the air inlet.

It is recommended to empty the dust container outdoors.

STEP 1: Whilst securely holding the vacuum cleaner main unit, press the dust container base release latch. Empty the dust container slowly and carefully to reduce the amount of dust released back into the atmosphere.

STEP 2: Close the dust container by pushing the base closed until the dust container base release latch locks back into position.

Note: Always close the dust container base before using the vacuum cleaner.

Cleaning the HEPA filter

The HEPA filter can only be accessed when the dust container is open.

STEP 1: Open and empty the dust container following the instructions in the section entitled 'Emptying the Dust Container'.

STEP 2: Once the dust container is empty, remove the filter cone by rotating it in an anticlockwise direction and lifting it out of the vacuum cleaner main unit.

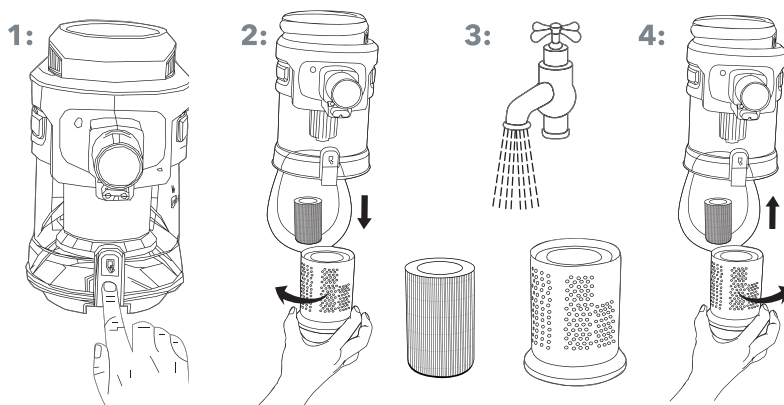
STEP 3: Carefully lift the HEPA filter out of the dust container. Shake the HEPA filter until the majority of the dust has been removed, then rinse under clean, warm water and allow to dry naturally.

STEP 4: Once the HEPA filter is fully dry, place it back into the dust container. Replace the filter cone by aligning the indents on the filter cone with those on the top of the HEPA filter. Secure into place by rotating the filter cone in a clockwise direction.

STEP 5: Close the dust container by pushing it firmly shut until it clicks into position.

Note: Do not clean the HEPA filter using detergents or use external heat sources such as radiators to dry them.

Warning: Do not reassemble or use the vacuum cleaner until the HEPA filter is fully dry, as this could cause damage.



Cleaning the Floor Brush

The floor brush has a removable brush bar for easy cleaning.

STEP 1: Switch off the vacuum cleaner and remove the floor brush by pressing the floor brush release button and pulling it away from the extension tube.

STEP 2: Slide the brush bar release tab to release the brush bar and lift it out of the floor brush.

STEP 3: Remove any built-up dust, debris and hair from the brush bar and floor brush.

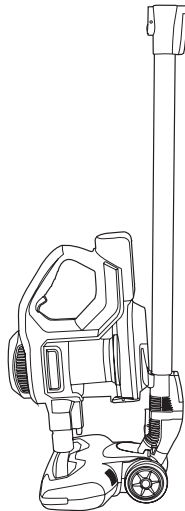
STEP 4: Replace the brush bar into the floor brush by aligning the tabs and sliding the brush bar release tab to the side, allowing the brush bar to fit into place.

Removing the Rechargeable Battery Pack

The battery pack can be removed from the vacuum cleaner main unit by pressing the battery release catch and sliding the battery pack out of the main unit. To refit the battery pack, re-align it with the main unit and press the release catch down whilst sliding the battery pack into place until it clicks.

Storage

Check that the vacuum cleaner is cool, clean and dry before storing in a cool, dry place. The vacuum cleaner can be neatly stored away after use by securing the main unit onto the extension tube using the storage hook.



Troubleshooting

Symptom	Possible Cause	Solution
The vacuum cleaner will not charge.	<p>The mains power adaptor is not securely connected.</p> <p>The battery is not fitted correctly.</p>	<p>Connect the mains power adaptor to the charging port on the battery, following the instructions in the section entitled 'Charging the Airgility Max Cordless.'</p> <p>Fit the battery pack by aligning it with the main unit and sliding into place until it clicks.</p>
The suction is poor.	<p>The air inlet is blocked.</p> <p>The dust container is almost full.</p> <p>The HEPA filter is blocked.</p> <p>The vacuum cleaner needs charging.</p>	<p>Disconnect the attachment and clear the blockage.</p> <p>Empty the dust container following the instructions in the section entitled 'Emptying the Dust Container'.</p> <p>Clean the HEPA filter following the instructions in the section entitled 'Cleaning the HEPA Filter'.</p> <p>Charge the vacuum cleaner following the instructions in the section entitled 'Charging the Airgility Max Cordless.'</p>
The brush bar is not rotating.	The brush bar is blocked due to built-up hair, dust and debris.	Clean the floor brush following the instructions in the section entitled 'Cleaning the Floor Brush'.

Specifications

Product code: BEL0813N

Battery: 29.6 V 2200 mAh Li-ion

Adaptor Input: 100-240 V ~ 50/60 Hz

Adaptor Output: 34 V $\underline{\underline{=}}$ 0.4 A 13.6 W

Average active efficiency: 85.08 %

Efficiency at low load (10%): 78.71 %

No load power consumption: 0.092 W

Dust tank capacity: 1.2 L

UP Global Sourcing UK Ltd., Victoria Street, Manchester OL9 0DD. UK.

If this product does not reach you in an acceptable condition please contact our Customer Services Department at www.beldray.com. Please have your delivery note to hand as details from it will be required. If you wish to return this product please return it to the retailer from where it was purchased with your receipt (subject to their terms and conditions).

Guarantee

All products purchased as new carry a manufacturer's guarantee; the time period of the guarantee will vary dependent upon the product. Where reasonable proof of purchase can be provided, Beldray will provide a standard 12 month guarantee with the retailer from the date of purchase. This is only applicable when products have been used as instructed for their intended, domestic use. Any misuse or dismantling of products will invalidate any guarantee.

Under the guarantee, we undertake to repair or replace free of any charge any parts found to be defective. In the event that we cannot provide an exact replacement, a similar product will be offered or the cost refunded. Any damages from daily wear and tear are not covered by this guarantee, nor are consumables such as plugs, fuses etc.

Please note that the above terms and conditions may be updated from time to time and we therefore recommend that you check these each time you revisit the website.

Nothing in this guarantee or in the instructions relating to this product excludes, restricts or otherwise affects your statutory rights.

The crossed out wheelee bin symbol on this item indicates that this appliance needs to be disposed of in an environmentally friendly way when it becomes of no further use or has worn out. Contact your local authority for details of where to take the item for recycling.



 **3 YEAR**
GUARANTEE*

*To be eligible for the extended guarantee, go to www.beldray.com and register your product within 30 days of purchase.

Rechargeable batteries are not included in the extended manufacturer's guarantee (after the first 12 months).

Find us on 

www.facebook.com/Beldray



Manufactured by:
UP Global Sourcing UK Ltd.,
Victoria Street, Manchester OL9 0DD. UK
www.beldray.com

©Beldray Trademark. All rights reserved.

Please retain instructions for future reference.

Made in China.

CD230320/MD000000/V1

